

The Autobag® Maximizer™ continuous-motion conveyor — Maximizes your investment by increasing your hand load productivity.

Capable of conveying and counting hand-placed items at speeds up to 50 batches per minute, this continuous motion, flighted conveyor has been designed to be simple to use, dependable and operationally flexible to double the productivity of hand load applications.

When used in conjunction with the Autobag® AB 180™ bagging system, a bulk supply of product is placed on the product load tray, an operator will then retrieve the required product for each pack and place it into one of the Maximizer™ flights. The conveyor drives the product to a field eye detection load area where the conveyor dispenses the product through the eye and into an accumulator funnel. The individual batch of product is then funneled to a pre-opened bag at which time the bag is sealed and dispensed while another bag is presented for loading.

Utilizing the very latest technology, the Autobag® Maximizer™ is capable of detecting and counting product from 1/4" to 5.5" in length and up to 3" in width.



User Benefits

- Reduces labor cost while doubling packaging throughput, providing higher packaging productivity with fewer operators
- Ideal system for hand load kit packages and sub assemblies, giving the operator the time and control of the system speed rates
- Simple Eye Detection system allows changeover from product to product to be instantaneous
- Can be integrated with simple robotics providing integrated, efficient packaging of at-site assembled product
- Quick to set-up, easy to operate, reliable and fast

Standard Features

- Combines with Autobag® bagging and printing systems to provide integrated, efficient in-line packaging
- 3.75" x 5.75" flighted compartments facilitating a wide range of products for flexibility
- Cantilevered frame for easy pivoting and adjustment
- Adjustable stainless steel load shelf for ease of operation
- Easy multiple adjustments allow you to set height, angle, and speed mode to meet a wide range of infeed requirements
- Adjustable belt speed control conveys up to 60 bags per minute as a product take-away conveyor
- Anti-jamming overload protection
- Electronic Eye Counter and Accumulator signals bagger to cycle only when Maximizer flight contains product, preventing empty bags in process

Options

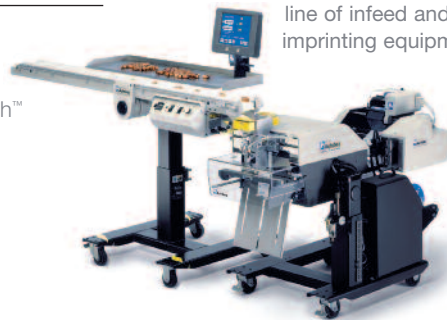
- Side-feed or front-feed configuration
- Range of infeed funnels
- Remote mounting kit for AB 180™ AutoTouch™ Control Screen
- Spare parts kits

Typical Applications

- Automotive & appliance parts
- Hardware & DIY
- Electrical & electronic
- Fasteners & connectors
- Plumbing & heating
- Hobby & craft
- Jewelry & novelty items
- Cosmetics & beauty aids
- Disposable health care



In-Line Integrated Packaging is achieved by combining the Maximizer™ and AB 180™ bagger with the PI 412c imprinter. Autobag manufactures a complete line of infeed and imprinting equipment.



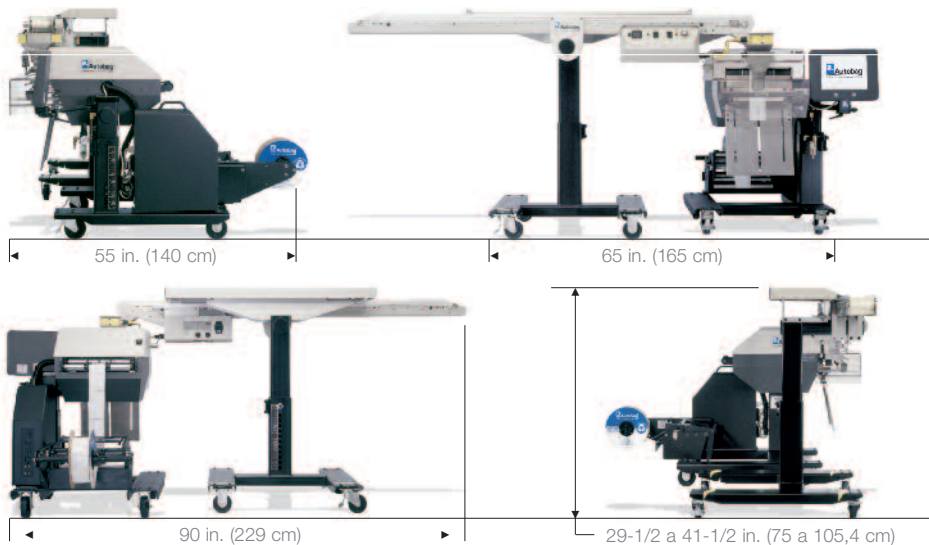
Technical Specifications

Weight: 200 lb (90 kg)

Max. Belt/Flight Load: 50 lb. (23 kg)

Dimensions (with AB180 bagger):

Electrical: 110/220 VAC; 50/60 Hz



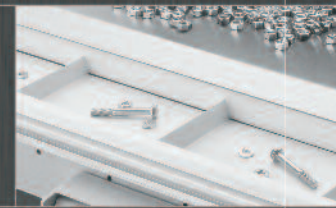
The use of the ® or ™ symbol indicates that Automated Packaging Systems, Inc. has registered or is otherwise claiming trademark rights in the United States. These marks may also be registered in other countries and common law rights may apply in countries where such rights are recognized.

Mechanical Features

AutoTouch Control Screen from AB 180 bagging machine with decentralized mounting to Maximizer for easy operator access.



Flighted conveyor belt ensures part separation while accurately and efficiently moving product to counting eye.



Simple interface panel houses controls for setting single count or multi batch, as well as continuous and intermittent indexing.



Automated Packaging Systems Inc.
 10175 Philipp Parkway
 Streetsboro, Ohio 44241
 Tel: 888-288-6224
 Fax: 330-342-2400

machines

materials

service

s y s t e m s a d v a n t a g e

Automated
 PACKAGING SYSTEMS

Visit or call us at
www.autobag.com
 888-AUTOBAG