

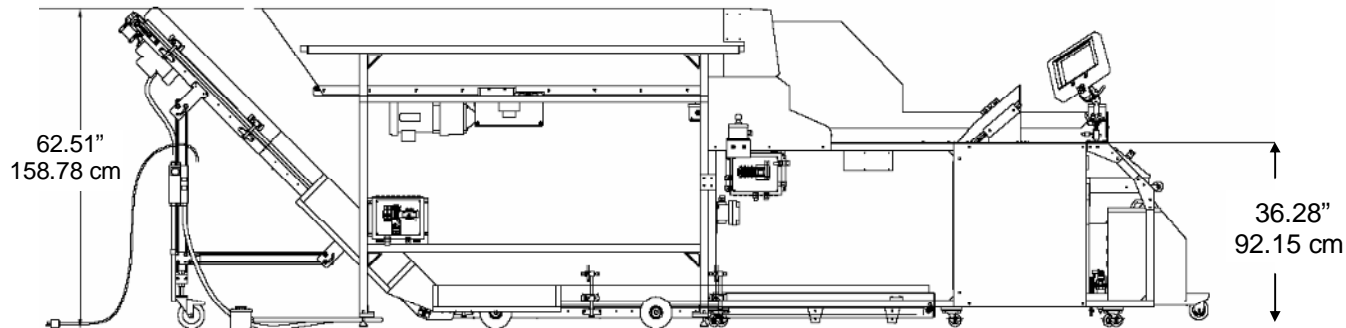
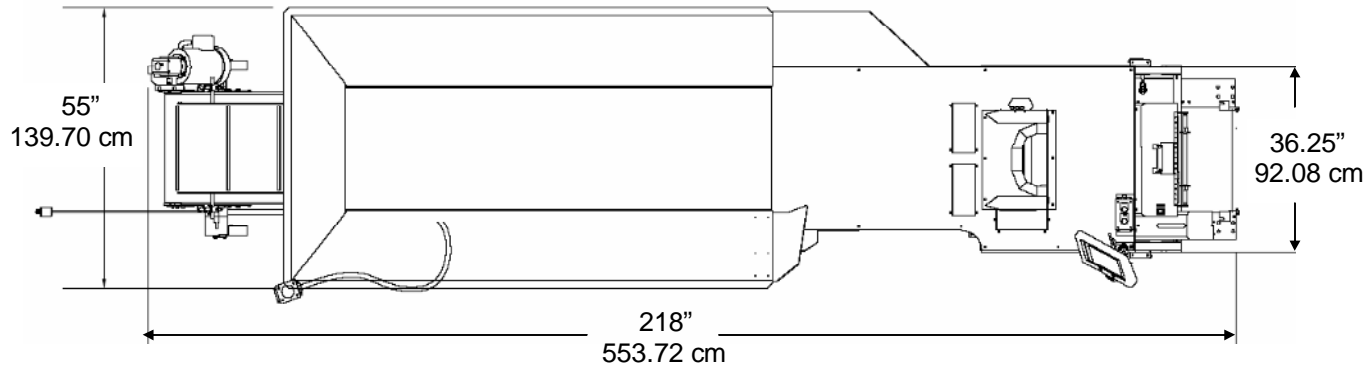
Footprint Drawing



CTS4000™



CTS4000 with Hopper



machines —
 materials —
 service

s y s t e m s a d v a n t a g e